

LEVITY



WALKING WITH YOU

An advanced body weight support system tailored for children with walking disabilities who lack strength, good balance, or endurance



How it Works

The Levity uses patented spring technology that allows for incremental offloading of the child. The device can offload six different weights: 8 kg, 10 kg, 12 kg, 15 kg, 18 kg, and 22 kg.

Benefits of a Hand-Free Walking Aid

- Enhances participation in daily activities
- Facilitates interactions with the environment
- Promotes inclusion
- Eases interaction and play with others

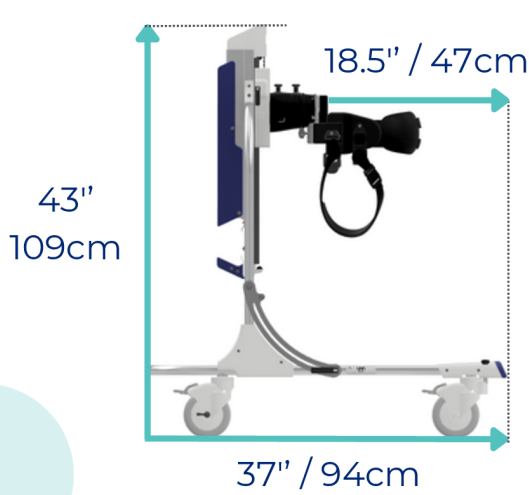
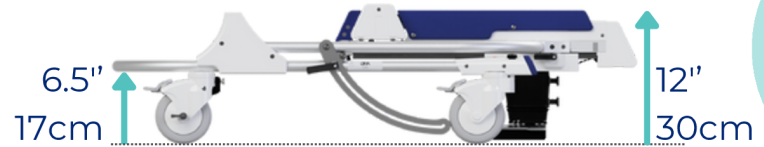
References

- Booth et al. (2018)
- Novak et al. (2019)
- McKeever et al. (2013)
- Paleg et Livingstone (2016)

Benefits of Training with Partial Body Weight Support

- Enhances mobility
- Improves walking distance
- Improves walking speed
- Improves posture

Levity Specifications



Weight of Levity:
33lbs / 15 kg
Minimum Turning Radius:
51" / 130cm

User Requirements

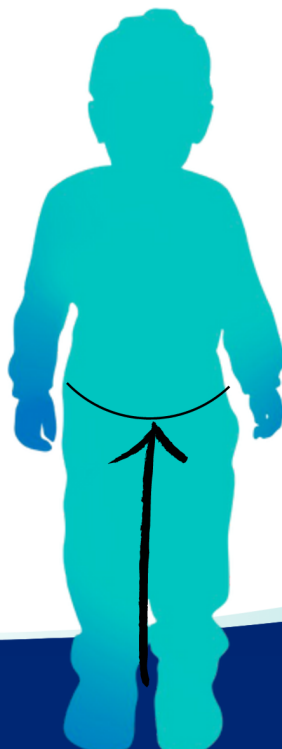
Weight:

25lbs - 100lbs
11.3 kg - 45.3 kg

Height:

30" - 56"
76cm - 142cm

Let's connect!



Waist Size	15" - 25" 38cm - 64cm	Small Belt Small Chest Harness
	22" - 33" 55cm - 84cm	Large Belt Large Chest Harness
Pelvis Height	12.5" - 15.5" 32cm - 40cm	Small Seat
	14.5" - 22" 37cm - 56cm	Large Seat